

Touch Kiosk Floor Standing



Overview



Round-the-clock operation

displays can be used as reliable digital signage for both offline and cloud based content 24 hours a day, 7 days a week.



Touch Capability

This display features touch capabilities, allowing you to interact with customers more effectively and efficiently.



400 nits

This display offers bright, clear images with up to 400 nits, ideal for indoor use with excellent visibility in well-lit environments.



Full HD

ensures perfect colour and rich details in all possible broadcasting surroundings, ranging from shops, to restaurants and office buildings.



Specifications 32"



Panel

| | |
|---------------------|-----------------------|
| Panel Type: | TFT - LCD |
| Model No.: | US-TH320 LXH |
| Size: | 32" |
| Resolution: | 1920 x 1080 (Full HD) |
| Brightness: | 400 cd/m ² |
| Contrast (Typ): | 1200 : 1 |
| Orientation: | Landscape |
| Operating Hours: | 24 / 7 |
| Response time: | 8 ms |
| Aspect ratio: | 16 : 9 |
| Display Area W x H: | 392,9 x 698,4 mm |



Touch

| | |
|-----------------------|-----------------------------|
| Specification: | Capacitive Touch |
| Positioning accuracy: | ± 2mms |
| Transmittance: | 92 % |
| Hardness: | 7 H |
| Click manner: | 10 points touch |
| Response Time: | ≤ 10 ms |
| Output Resolutions: | 8192 x 8192 |
| Life Time: | More than 600 million times |



Speaker

| | |
|-------------------|--------------|
| Built in speaker: | 2 x 5 W (8Ω) |
|-------------------|--------------|



Power

| | |
|----------------------------|----------------------|
| Input: | AC100V~240V 50/60 HZ |
| Max. Power Consumption: | ≤ 70 W |
| Standby Power Consumption: | < 5 W |



Environment

| | |
|------------------------|------------|
| Operation Temperature: | 0 ~ 50 C |
| Operation Humidity: | 20% ~ 80 % |



Operating System

| | |
|-----|------------|
| OS: | Android 11 |
|-----|------------|



Connectivity

| | |
|----------|----------------------------------|
| 4G SIM | 1 x |
| HDMI out | 1 x |
| USB | 2 x |
| RJ45 | 1 x |
| LAN | 10/100 M Ethernet |
| WiFi | Built-in WiFi 802,11A/B/G/NAC |



Physical

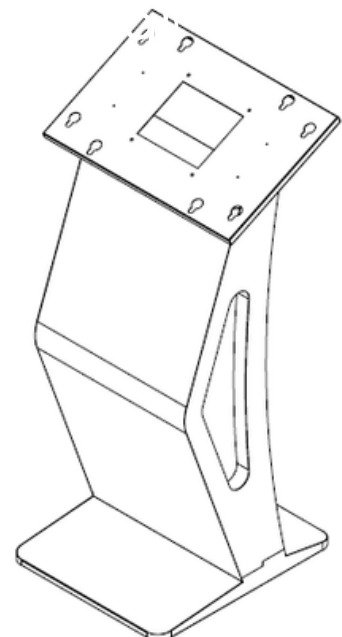
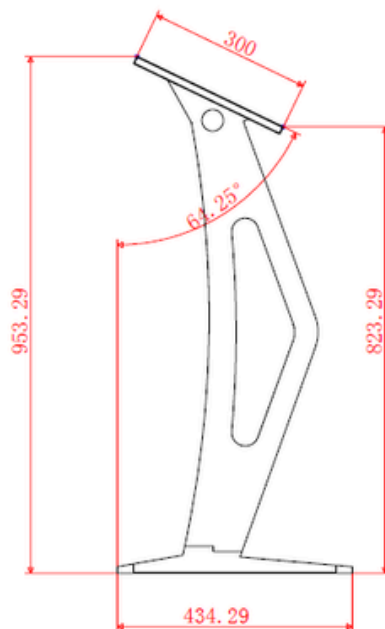
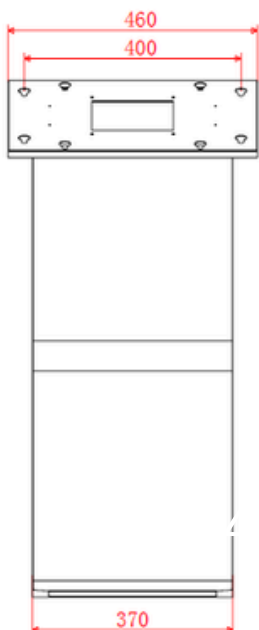
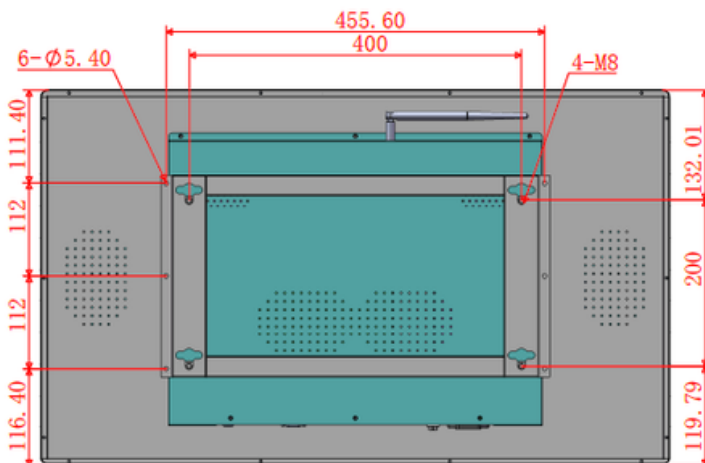
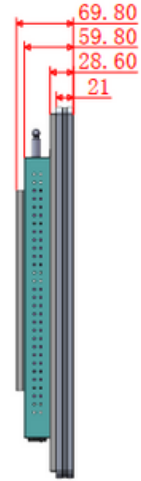
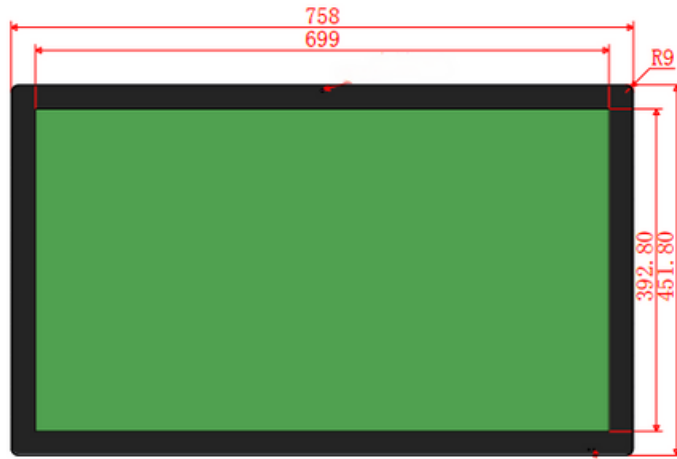
| | |
|---------------|------------------------|
| Bezel Color: | White, Metal case SPCC |
| Installation: | Floor Standing |
| Protection: | AG Glass |



Certification

| | |
|-------------------------|---------------|
| Standard Certification: | CE, FCC, ROHS |
| Quality Standard | ISO9001, CCC |

Technical 32"



Specifications 55"



Panel

| | |
|---------------------|-----------------------|
| Panel Type: | TFT - LCD |
| Model No.: | US-TH550 LXH |
| Size: | 55" |
| Resolution: | 1920 x 1080 (Full HD) |
| Brightness: | 400 cd/m ² |
| Contrast (Typ): | 1200 : 1 |
| Orientation: | Landscape |
| Operating Hours: | 24 / 7 |
| Response time: | 8 ms |
| Aspect ratio: | 16 : 9 |
| Display Area W x H: | 1209,6 x 680,4 mm |



Touch

| | |
|-----------------------|-----------------------------|
| Specification: | Capacitive Touch |
| Positioning accuracy: | ± 2mms |
| Transmittance: | 92 % |
| Hardness: | 7 H |
| Click manner: | 10 points touch |
| Response Time: | ≤ 10 ms |
| Output Resolutions: | 8192 x 8192 |
| Life Time: | More than 600 million times |



Speaker

| | |
|-------------------|--------------|
| Built in speaker: | 2 x 5 W (8Ω) |
|-------------------|--------------|



Power

| | |
|----------------------------|----------------------|
| Input: | AC100V~240V 50/60 HZ |
| Max. Power Consumption: | ≤ 150 W |
| Standby Power Consumption: | < 5 W |



Environment

| | |
|------------------------|------------|
| Operation Temperature: | 0 ~ 50 C |
| Operation Humidity: | 20% ~ 80 % |



Operating System

| | |
|-----|------------|
| OS: | Android 11 |
|-----|------------|



Connectivity

| | |
|----------|----------------------------------|
| 4G SIM | 1 x |
| HDMI out | 1 x |
| USB | 2 x |
| RJ45 | 1 x |
| LAN | 10/100 M Ethernet |
| WiFi | Built-in WiFi 802,11A/B/G/NAC |



Physical

| | |
|---------------|------------------------|
| Bezel Color: | White, Metal case SPCC |
| Installation: | Floor Standing |
| Protection: | AG Glass |



Certification

| | |
|-------------------------|---------------|
| Standard Certification: | CE, FCC, ROHS |
| Quality Standard | ISO9001, CCC |

Technical 55"

